



# Serpentine Bronze™ Conical Bell®

Above-counter/Wall-mount Bathroom Sink  
K-14223-SP

## Features

- Decorated with a sea life pattern on Sandbar background.
- Round bowl-like basin.
- No faucet holes; requires wall- or counter-mount faucet.

## Material

- Vitreous china.

## Installation

- Vessel.

## Recommended Products/Accessories

K-7114 Pop-Up Drain  
K-7129 Drain  
K-9018 P-Trap  
K-9655 Wall-Mount Vessel Bracket

## Included Components

Additional Components:  
Adjustable linkage



ADA CSA B651

## Codes/Standards

ASME A112.19.2/CSA B45.1  
ADA  
ICC/ANSI A117.1  
CSA B651


## KOHLER® One-Year Limited Warranty

See website for detailed warranty information.

## Available Colors/Finishes

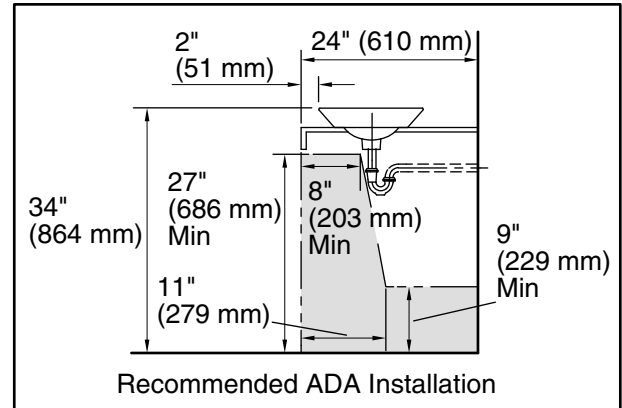
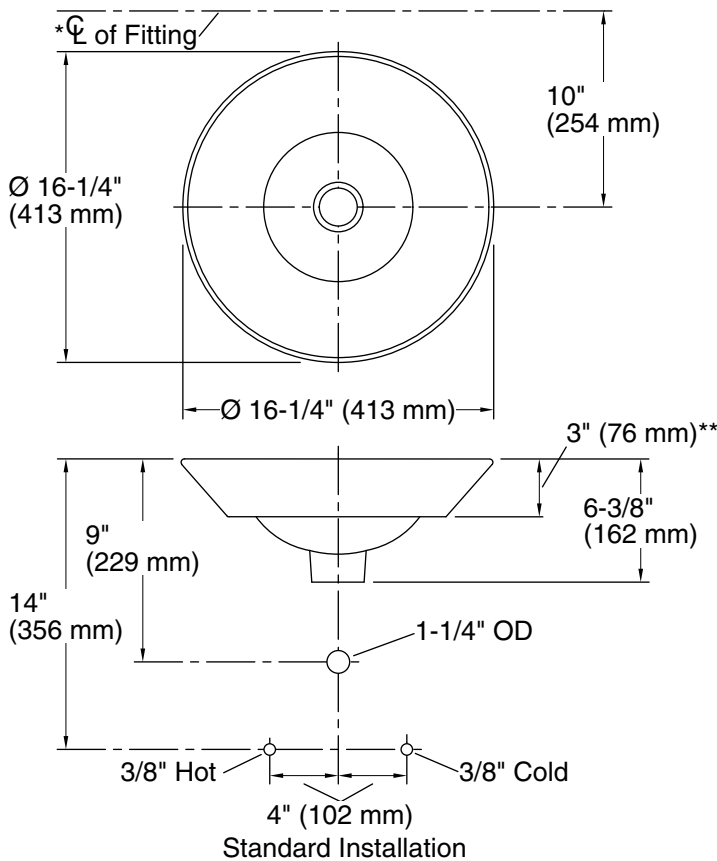
*Color tiles intended for reference only.*

### Color Code Description

 G9 Sandbar



**Serpentine Bronze™ Conical Bell®**  
 Above-counter/Wall-mount Bathroom Sink  
**K-14223-SP**



**Technical Information**

All product dimensions are nominal.

- Bowl configuration: Single
- Installation: Vessel, Wall-mount
- Bowl area (Only): Diameter: 15-7/8" (403 mm)  
Water depth: 4-1/4" (108 mm)
- Drain hole: 1-3/4" (44 mm)
- Template: 1002980-7, required, included

**Notes**

Install this product according to the installation instructions.

\*Spout must be 5" (127 mm) long (min) for adequate clearance into the bathroom sink when installed with centerline as shown.

NOTICE: Countertop manufacturer or cutter must use the cut-out template provided with the product, or a current one provided by Kohler Co. (call 1-800-4-KOHLER). Kohler Co. is not responsible for cut-out errors when the incorrect cut-out template is used.

ADA, CSA B651 compliant when installed to the specific requirements of these regulations.